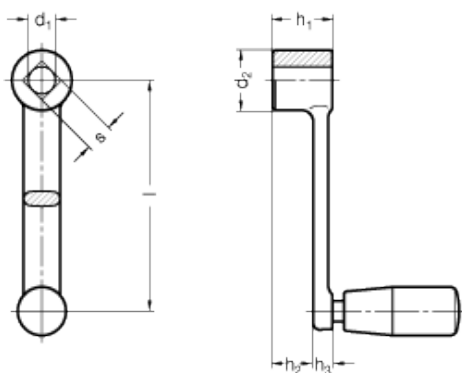


GN 269

Crank handles with revolving handle



INOX
Stainless Steel



technical informations

Material

AISI CF-8 stainless steel.

Revolving handle

Phenolic based (PF) Duroplast, black colour, glossy finish. Resistant to solvents, oils, greases and other chemical agents.

Information

Stainless Steel-Cranked handles GN 269 have been designed to comply with stringent hygiene requirements. The cylindrical handles are made of thermoset material which in general provides good stability when exposed to chemicals.

Standard Elements	Main dimensions								Weight
Description	l	d ₁	s	d ₂	h ₁	h ₂ ≈	h ₃	∅	g
GN 269-80-B10	80	B10	-	22	22	15.4	6.6	16	-
GN 269-100-B12	100	B12	-	26	26	17.7	8.3	21	200
GN 269-125-B14	125	B14	-	28	28	18.8	9.2	23	300
GN 269-160-B17	160	B17	-	32	32	22.6	9.4	23	380
GN 269-80-V10	80	-	V10	22	22	15.4	6.6	18	125
GN 269-100-V12	100	-	V12	26	26	17.7	8.3	21	-
GN 269-125-V14	125	-	V14	28	28	18.8	9.2	23	320
GN 269-160-V17	160	-	V17	32	32	22.6	9.4	23	-



ELESA and GANTER models all rights reserved in accordance with the law. Always mention the source when reproducing our drawings.

STANDARD MACHINE ELEMENTS WORLDWIDE